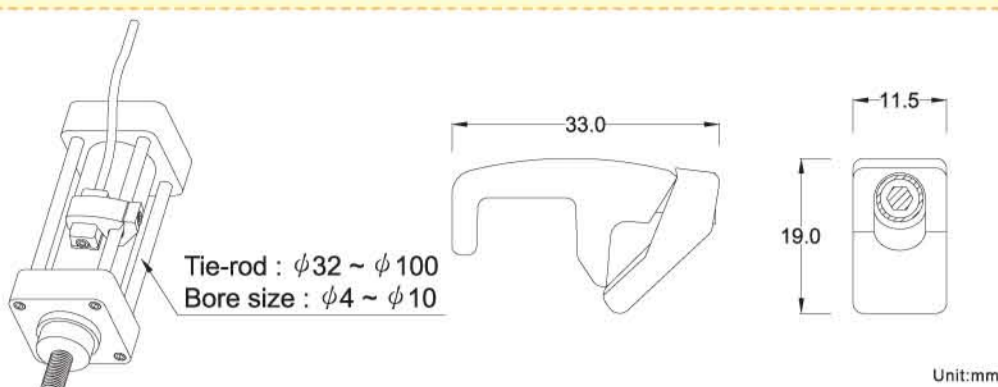


BRACKET *PAC/PM/PI* SERIES

Magnetic switch

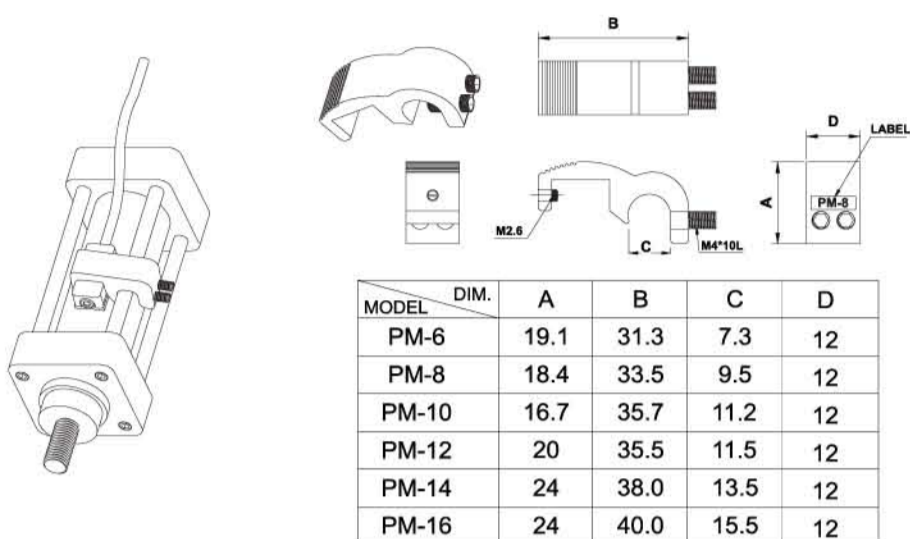
PAC

bracket is designed for mounting KT-20 & KT-21 & KT-31 series sensor on tie-rod cylinder.



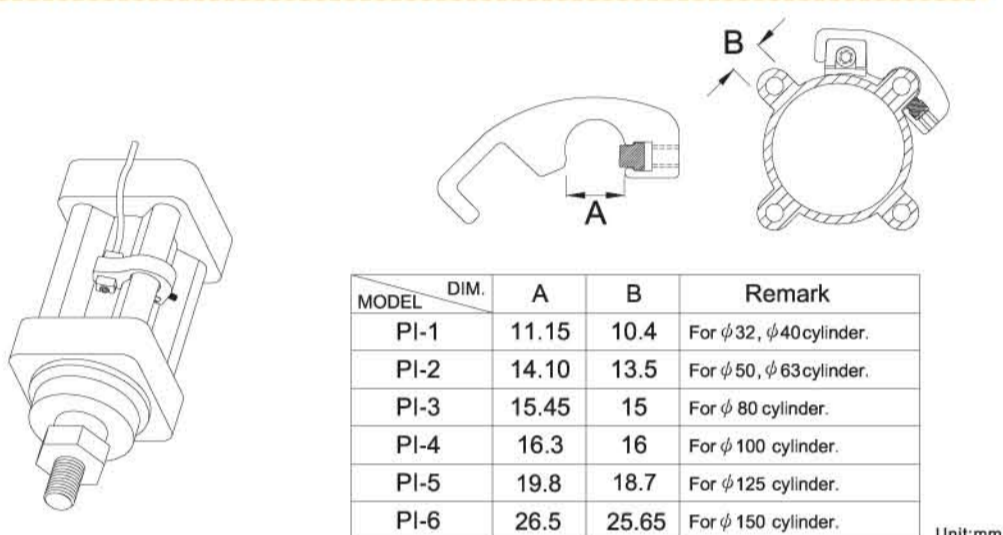
PM

bracket is designed for mounting KT-20 & KT-21 series sensor on tie-rod cylinder.



PI

bracket is designed for mounting KT-20 & KT-21 & KT-31 series sensor on ISO profile cylinder.

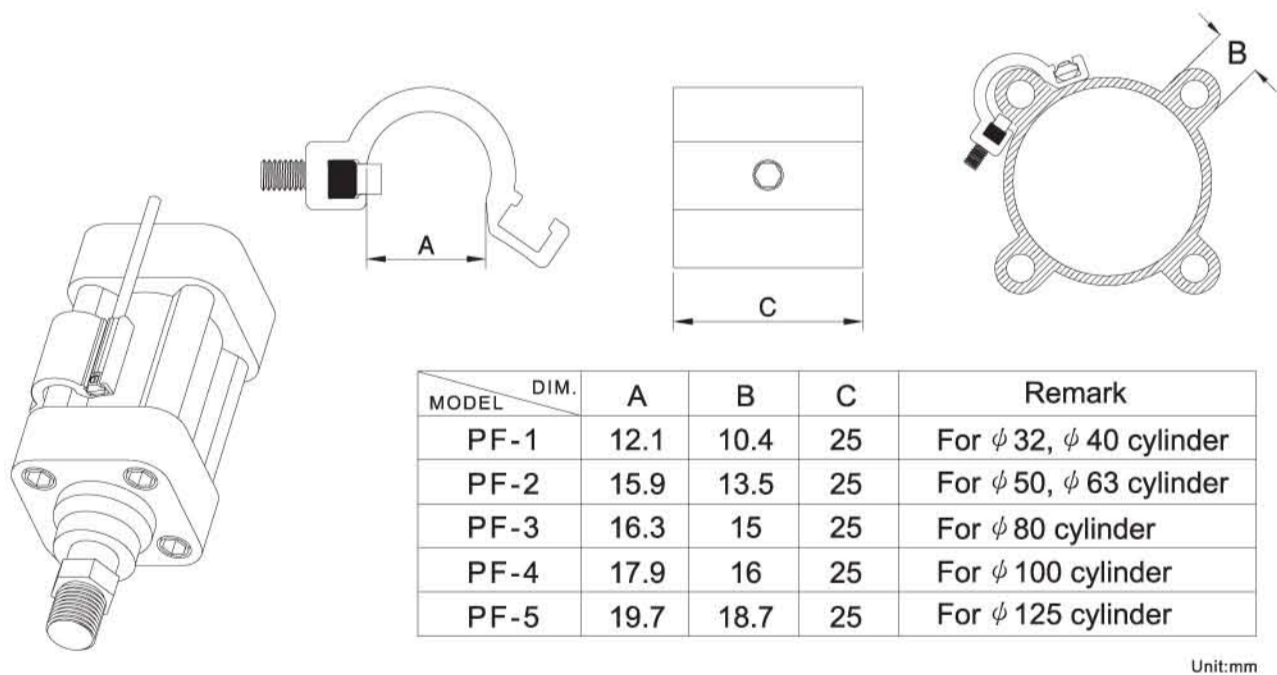


BRACKET *PF/DT* SERIES

Magnetic switch

PF

bracket is designed for mounting KT-32 & KT-40 & KT-50 & KT-51 & KT-60 series sensor on ISO profile cylinder.



DT

bracket is designed for mounting KT-32 & KT-40 & KT-50 & KT-51 & KT-60 series sensor on tie-rod cylinder.

